

AXOR Starck Organic
2-handle bidet mixer with pop-up waste set
 Surfaces: **Chrome** Article Number: **12210000**



Description

product features

- consists of: 2-handle bidet mixer, waste set
- projection 143 mm
- aerator with ball pivot
- normal spray
- flow rate at 3 bar: 3.5 l/min
- flow rate booster: 7.2 l/min
- ceramic cartridge for temperature control, ceramic valve for volume control
- temperature limitation adjustable
- separation of temperature and volume control
- isolated water conduction
- suitable for continuous flow water heaters
- pop-up waste set G 1¼
- connection dimension: DN15

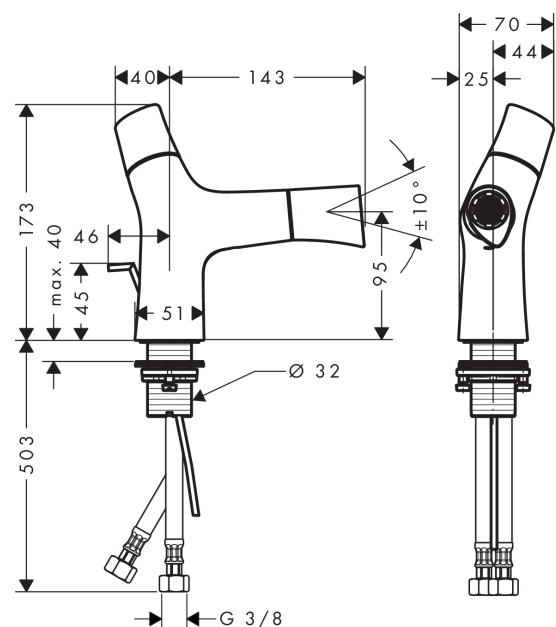
Technology



Product image



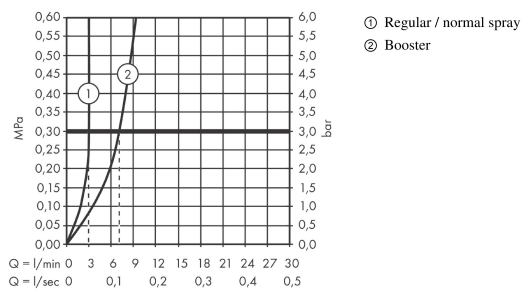
Scale drawing



AXOR Starck Organic
2-handle bidet mixer with pop-up waste set
 Surfaces: **Chrome** Article Number: **12210000**



Flowchart

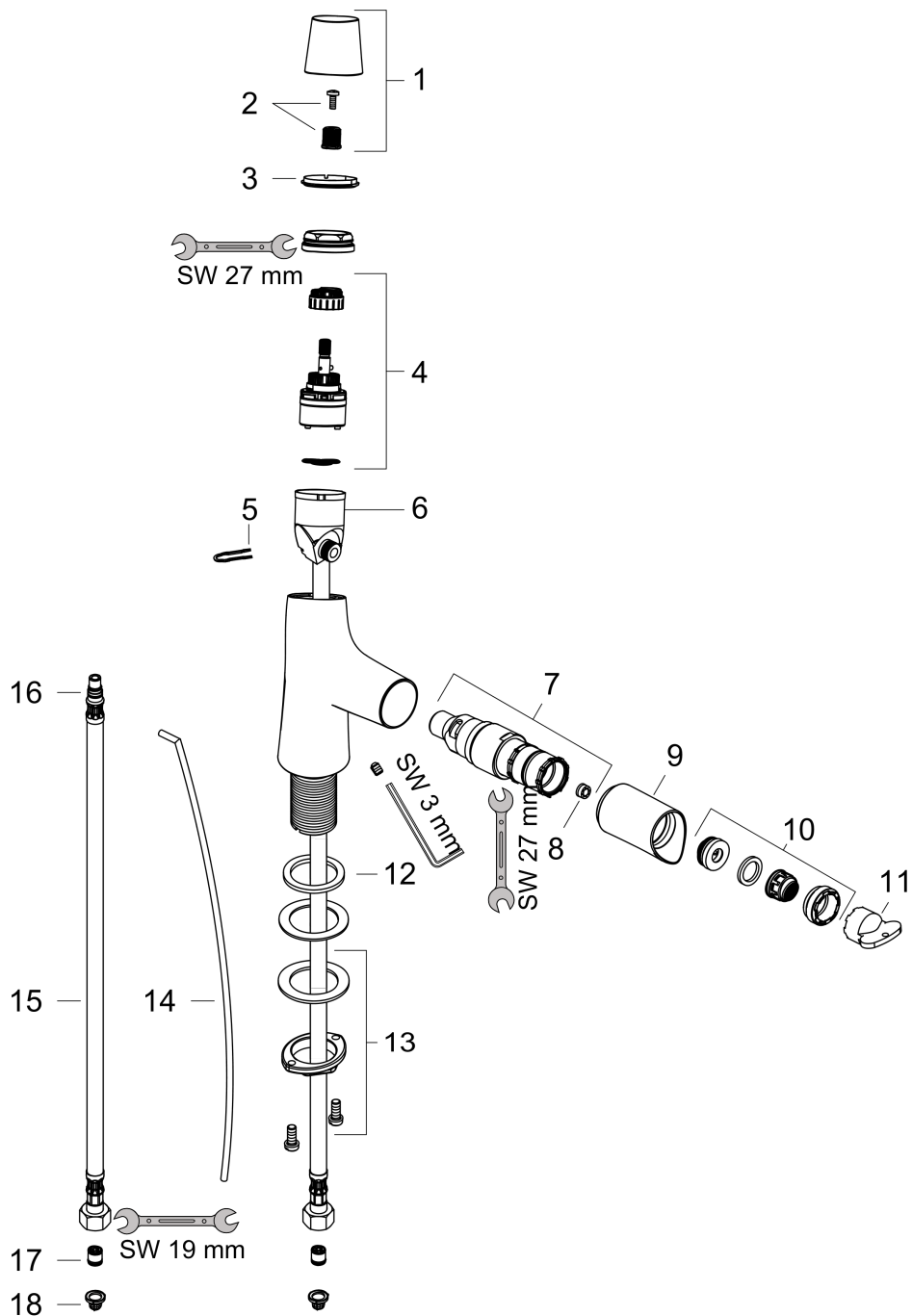


AXOR Starck Organic
2-handle bidet mixer with pop-up waste set
 Surfaces: **Chrome** Article Number: **12210000**



Exploded Drawing

Year of production: >11/12



AXOR Starck Organic
2-handle bidet mixer with pop-up waste set
 Surfaces: **Chrome** Article Number: **12210000**



Spare part list

Year of production: >11/12

Pos.	Description	Article Number	PC	PU
1	handle	98296000	0	1
2	handle fixing set	98932000	0	1
3	color-ring cold / hot water	98304000	0	1
4	cartridge, assy	98303000	0	1
5	cramp	98403000	0	1
6	O-ring 11x1,5	98385000	0	1
7	shut off cartridge	98302000	0	1
8	flow limiter (3,5 l/min)	98405000	0	1
9	spout cpl.	98298000	0	1
10	aerator M24x1 (7 l/min)	98300000	0	1
11	special tool	95158000	0	1
12	flat seal	98749000	0	1
13	fixing set (Ø 32)	13961000	0	1
14	pull rod	97158000	0	1
15	connection hose 600 mm M8x0,75 G3/8	95664000	0	1
16	O-ring 7x1,5	98422000	0	1
17	non return valve DW 10	96456000	0	1
18	filter packing	95291000	0	1
a	pop up waste	94139000	0	1
b	fixation extension 35 mm	13898000	0	1