

AXOR Starck Organic
Single lever bath mixer for concealed installation
 Surfaces: **Chrome** Article Number: **12415000**



Description

product features

- connection type: basic set
- flow rate at 3 bar: 22 l/min
- flow rate for bath spout at 3 bar: 28 l/min
- ceramic cartridge
- min. operating pressure: 1 bar
- max. operating pressure: 10 bar
- temperature limitation adjustable
- with automatic resetting
- with silencer
- suitable for continuous flow water heaters

Design awards



reddot design award

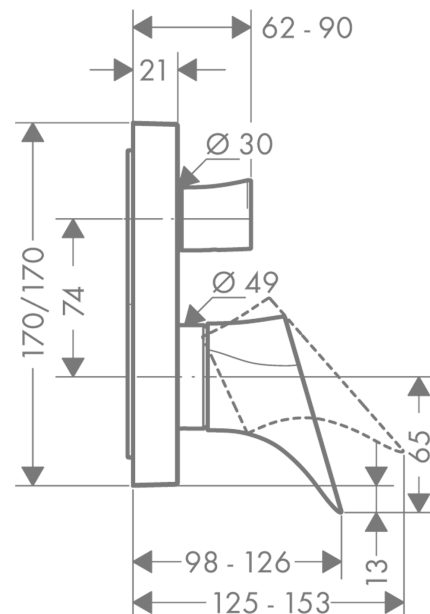


reddot design award
best of the best 2013

Product image



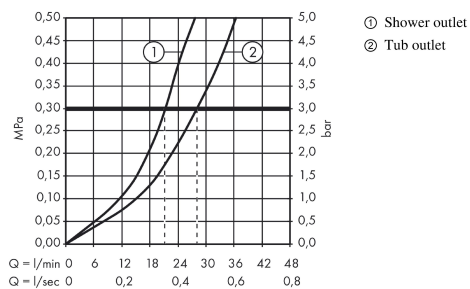
Scale drawing



AXOR Starck Organic
Single lever bath mixer for concealed installation
 Surfaces: **Chrome** Article Number: **12415000**



Flowchart

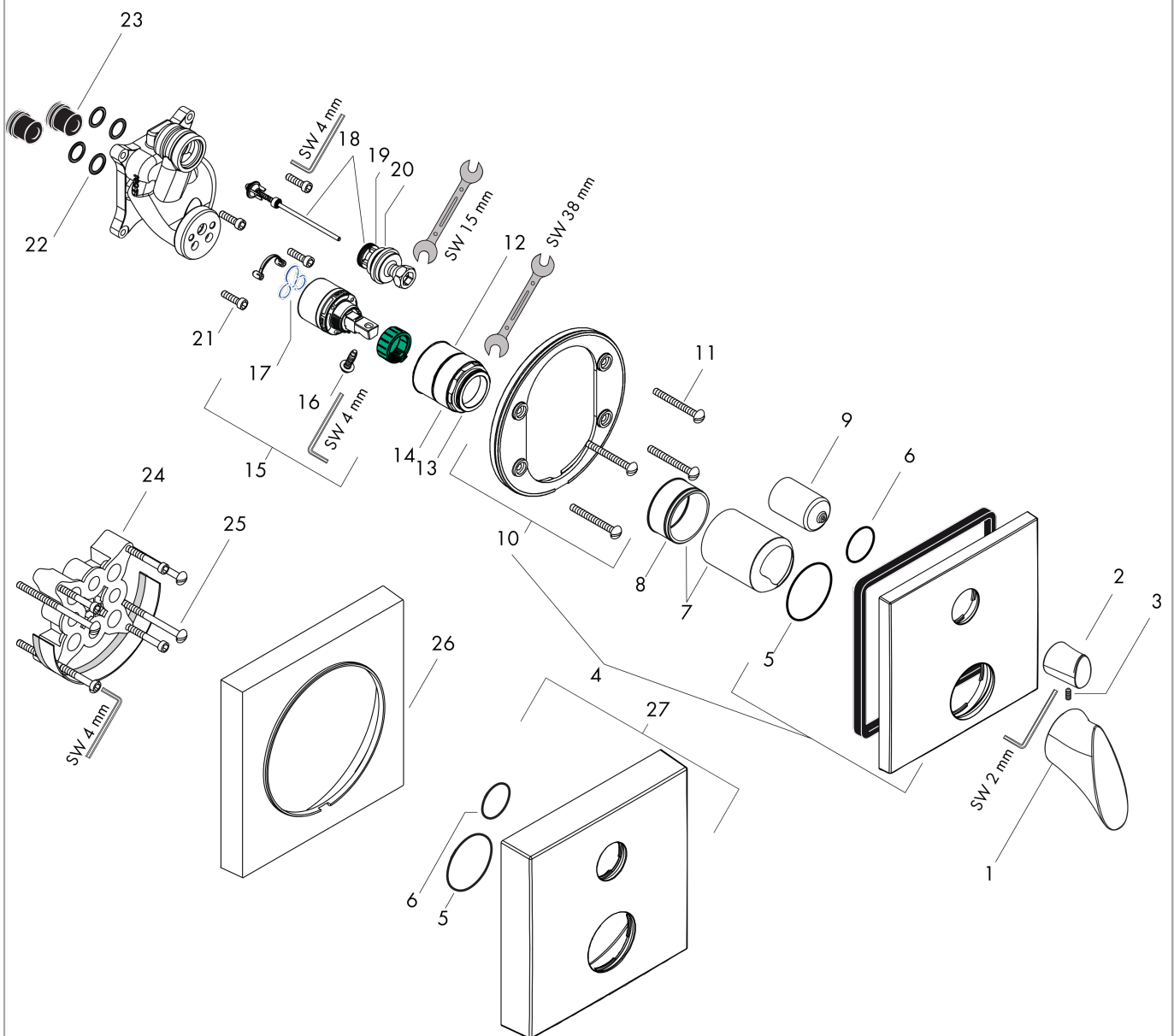


AXOR Starck Organic
Single lever bath mixer for concealed installation
 Surfaces: **Chrome** Article Number: **12415000**



Exploded Drawing

Year of production: >01/17



AXOR Starck Organic
Single lever bath mixer for concealed installation
 Surfaces: **Chrome** Article Number: **12415000**



Spare part list

Year of production: >01/17

Pos.	Description	Article Number	PC	PU
1	handle	98311000	0	1
2	diverter knob cpl.	98310000	0	1
3	hollow set screw M4x10	97667000	0	1
4	escutcheon	98309000	0	1
5	O-Ring 48x3	95508000	0	1
6	O-ring 29x3	98371000	0	1
7	flange	98684000	0	1
8	O-ring 43x1,5	98148000	0	1
9	sleeve	98308000	0	1
10	holder for escutcheon	98793000	0	1
11	set of fixing screws	96454000	0	1
12	nut	98796000	0	1
13	O-ring 30x1,5	98433000	0	1
14	O-ring 39x1,5	98400000	0	1
15	cartridge, assy	92730000	0	1
16	locking screw for handle	95140000	0	1
17	seal	95008000	0	1
18	selector assy	95014000	0	1
19	O-ring 17x2	98199000	0	1
20	O-ring 20x2,5	92602000	0	1
21	set of screws	96525000	0	1
22	O-ring 16x2	98133000	0	1
23	noise reduction	94073000	0	1
24	extension 25 mm	13595000	0	1
25	set of fixing screws	97747000	0	1
26	extension 22 mm	97407000	0	1
27	escutcheon height = 33 mm (when wall is not deep enough).	14968000	0	1
a	concealed item	01800180	0	1
b	adapter for exchanged connections	93181000	0	1
c	fixation set	96615000	0	1