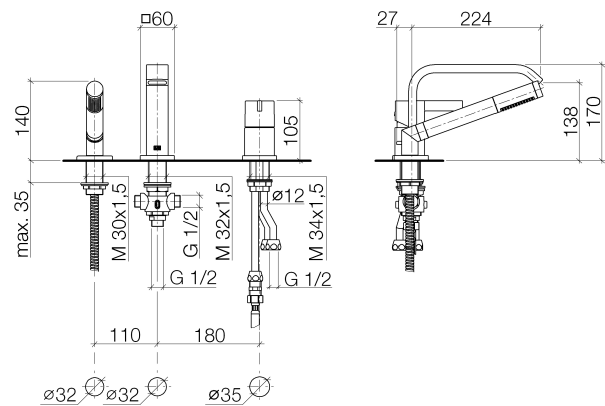




Product specifications

- **220 mm projection**
- fixed spout
- back flow preventer in shower outlet
- sleeve for cartridge screw
- 1x CU 12 mm outlet pipe, 170 mm
- automatic bath/shower diverter
- xSTREAM-cartridge with ceramic discs
- bar-type hand shower with anti-scale system and back flow preventer
- metal shower hose 2250 mm, chrome-plated, consisting of 1 pc. high pressure hose 500 mm and 1 pc. metal hose 1750 mm with turning cone
- 3x compression joint 12 mm x 1/2"
- rosette for mixer 60 x 60 mm
- height of mixer 170 mm
- hole diameter 35 mm
- Pressure hose
- 2x CU 12 mm supply pipe (cold/hot), 100 mm
- 20° 1/2" x 1/2" nipple for shower
- guide for shower hose





- Max. hand shower flow 7.6 l/min

The Perfecto installation kit is recommended for optimum mounting.

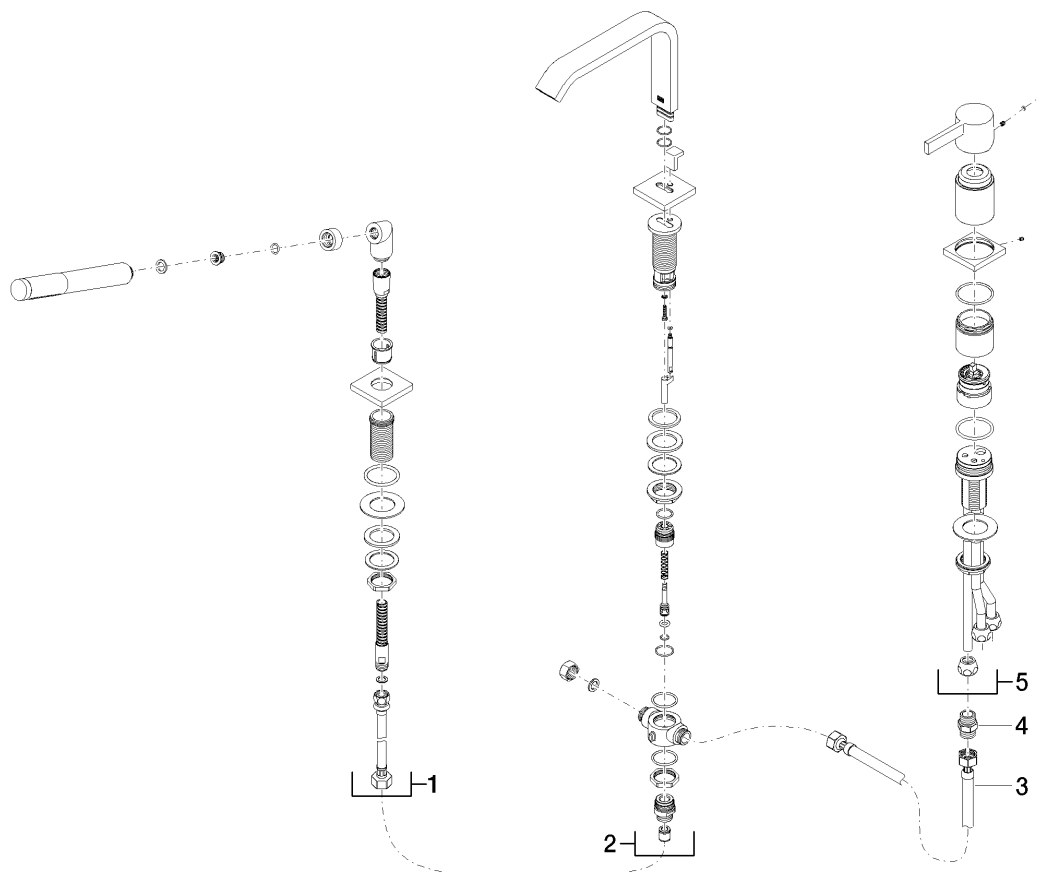
Intrinsic protection against back flow.

Do not use rosettes for deck mounting.

Surfaces

- chrome 27312670-00
- platinum matt 27312670-06

Exploded assembly drawing



**Order quantity**

No.	Article number	Name	Installation quantity
1	27702980ff	shower set	1
2	13512670ff	spout	1
3	1250297090	hose	1
4	0924031681090	nipple	1
5	29200670ff	connection	1



Flow rate chart

