



Product specifications

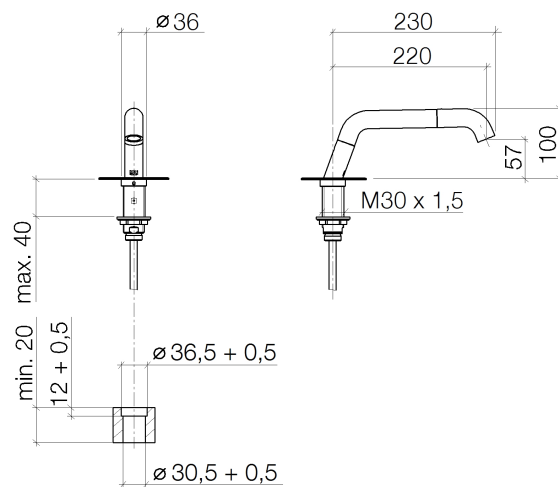
- **220 mm projection**
- pivotable spout 160°
- M 22 x 1 jet regulator – female thread
- Hose length 1500 mm
- height of mixer 100 mm
- height up to water outlet point 55 mm
- hole diameter 36.5 mm/ 30.5 mm
- Max. flow 9.5 l/min
- lead-free
- without rosettes

NOTE:

An accurately stepped hole is required for installation and must be prepared in advance by the stonemason or contractor.

Waterproof materials are essential for installation.

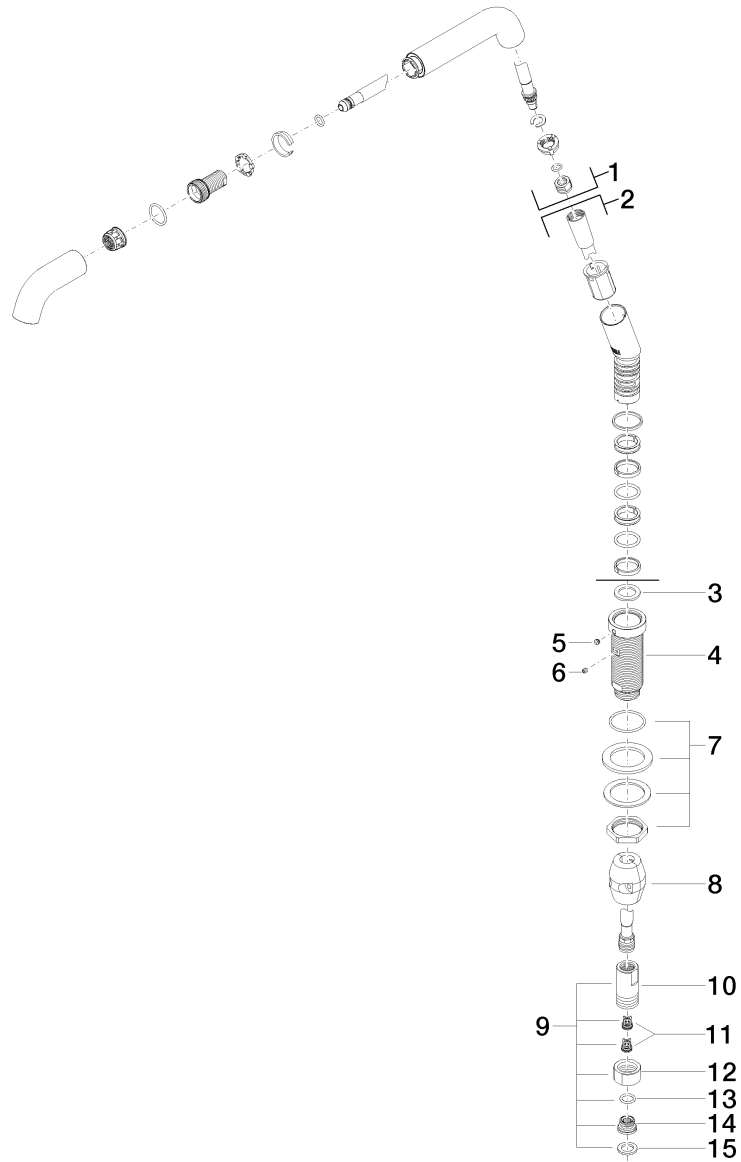
The dimensions for the stepped hole can be found at www.dornbracht.com.



Surfaces

- chrome 27728973-00
- platinum matt 27728973-06

Exploded assembly drawing



Order quantity

No.	Article number	Name	Installation quantity
1	90282226400ff	affusion pipe	1
2	90282226000ff	spout	1
3	09141506590	seal	1
4	093001196ff	connection	1
5	09311106390	pin	1
6	09311109990	pin	1
7	0430110386890	fixing set	1
8	0421500050090	accessories	1
9	0424032410090	nipple	1
10	09240324190	nipple	1
11	09230113190	back-flow preventer	2
12	09233006690	nut	1
13	09141000390	seal	1
14	0929050201090	nipple	1
15	09142000290	seal	1

Flow rate chart

