



### Product specifications

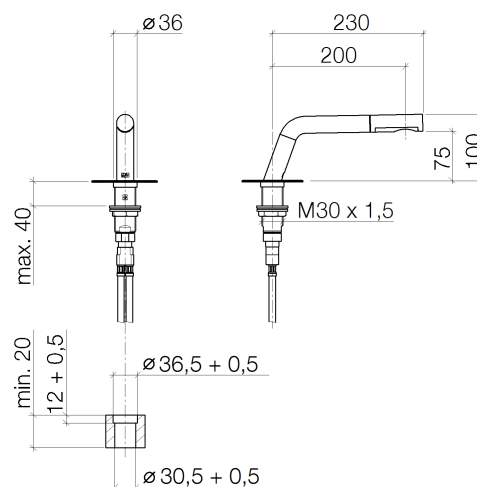
- **200 mm projection**
- pivotable spout 160°
- Perlator rotating by +/- 160°
- Aerator M 18.5 x 1 – male thread
- height of mixer 100 mm
- height up to aerator 75 mm
- hole diameter 36.5 mm/ 32 mm
- 1 1/4" pop-up waste
- Max. flow 5 l/min
- lead-free
- without rosettes

#### NOTE:

An accurately stepped hole is required for installation and must be prepared in advance by the stonemason or contractor.

Waterproof materials are essential for installation.

The dimensions for the stepped hole can be found at [www.dornbracht.com](http://www.dornbracht.com).



Bath & Spa

**27750973 Deck-mounted spout with rotating tip**

Article number: 27750973

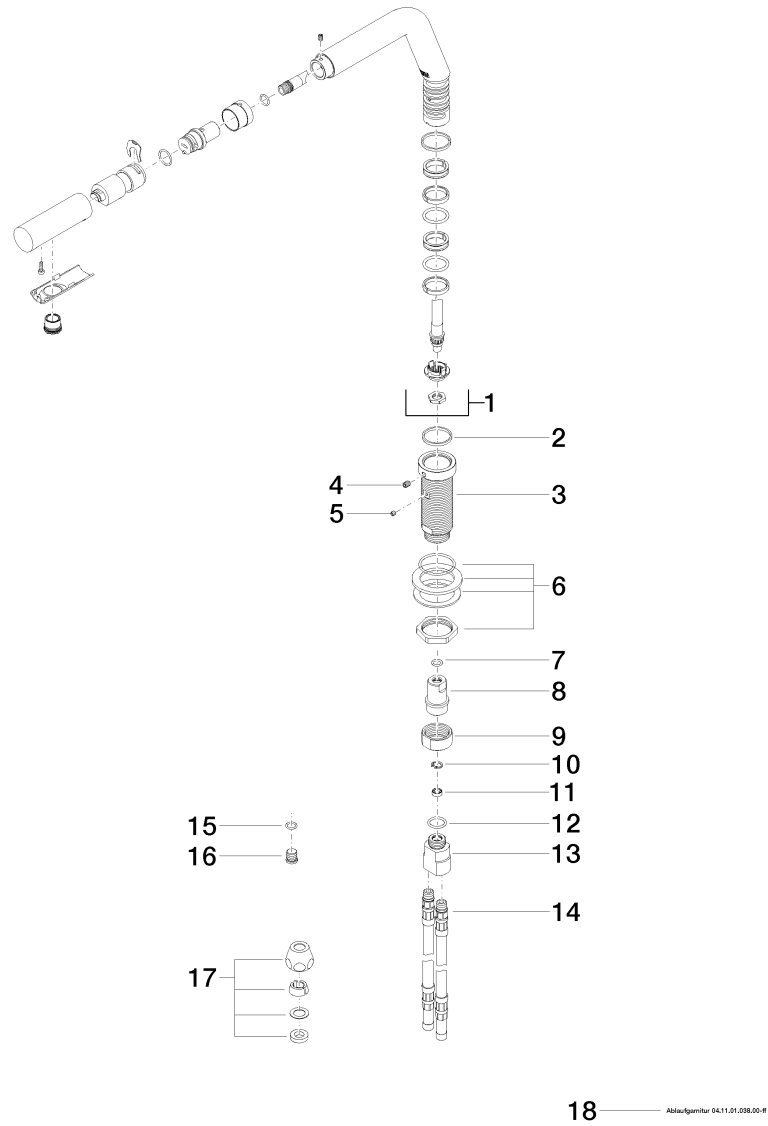


---

**Surfaces**

- chrome 27750973-00
- platinum matt 27750973-06

**Exploded assembly drawing**



**Order quantity**

<b>No.</b>	<b>Article number</b>	<b>Name</b>	<b>Installation quantity</b>
<b>1</b>	90282225900ff	spout	1
<b>2</b>	09141501090	ring	1
<b>3</b>	093001196ff	connection	1
<b>4</b>	09311106390	pin	1
<b>5</b>	09311109990	pin	1
<b>6</b>	0423100090190	fixing set	1
<b>7</b>	09141006190	seal	1
<b>8</b>	09240323790	extension	1
<b>9</b>	09231009990	nut	1
<b>10</b>	09160101690	ring	1
<b>11</b>	09230103390	flow reducer	1
<b>12</b>	09141013090	seal	1
<b>13</b>	0911100551090	connection	1
<b>14</b>	0430040160090	hose	2
<b>15</b>	09141006090	seal	1
<b>16</b>	09312006590	plug	1
<b>17</b>	04233004000ff	threaded connector	2
<b>18</b>	10125970ff	pop-up waste	1

### Flow rate chart

