

AXOR Citterio M
2-hole basin mixer 160 with pop-up waste set
 Surfaces: **Chrome** Article Number: **34132000**



Description

product features

- consists of: 2-hole basin mixer, waste set
- ComfortZone 160
- projection 135 mm
- laminar spray
- flow rate at 3 bar: 5 l/min
- ceramic cartridge
- temperature limitation adjustable
- suitable for continuous flow water heaters
- pop-up waste set G 1¼
- connection dimension: DN15
- flexible arrangement of control unit and spout possible

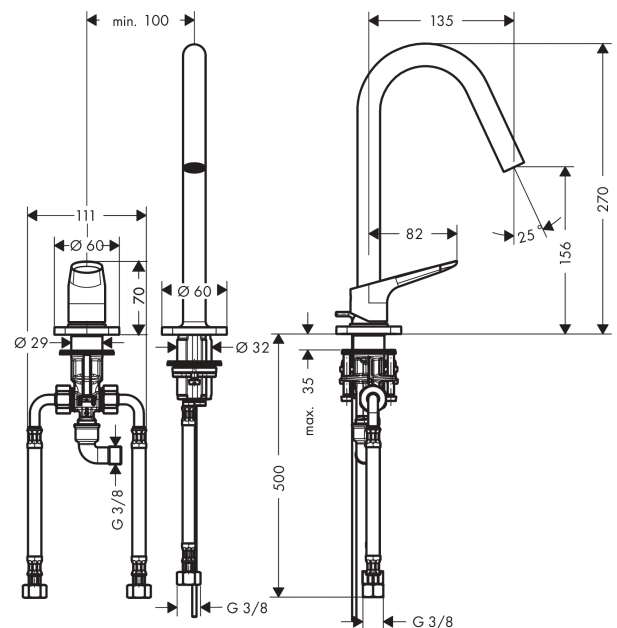
Technology



Product image



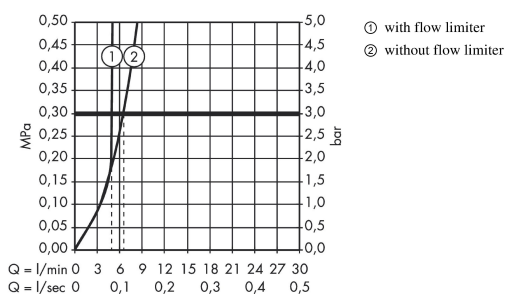
Scale drawing



AXOR Citterio M
2-hole basin mixer 160 with pop-up waste set
 Surfaces: **Chrome** Article Number: **34132000**



Flowchart

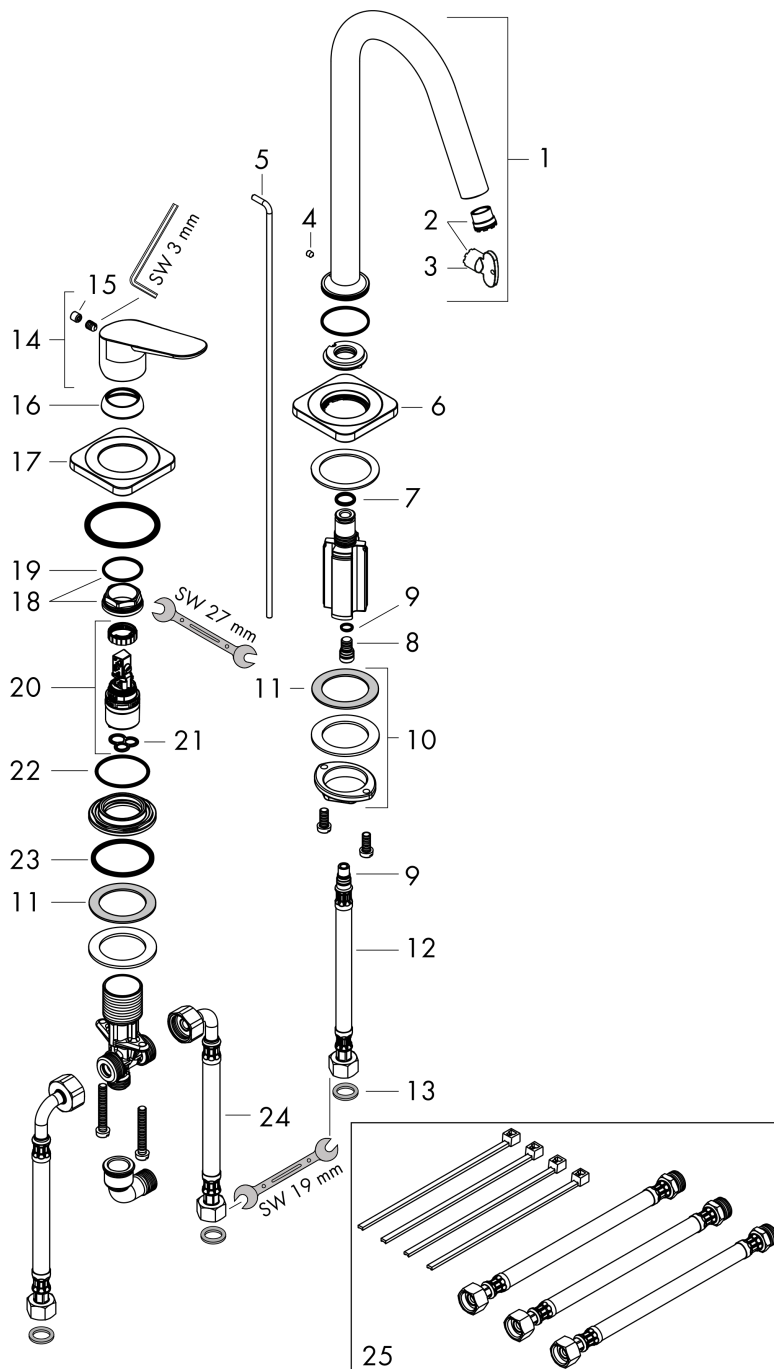


AXOR Citterio M
2-hole basin mixer 160 with pop-up waste set
 Surfaces: **Chrome** Article Number: **34132000**



Exploded Drawing

Year of production: >06/12



AXOR Citterio M
2-hole basin mixer 160 with pop-up waste set
 Surfaces: **Chrome** Article Number: **34132000**



Spare part list

Year of production: >06/12

Pos.	Description	Article Number	PC	PU
1	spout cpl.	98928000	0	1
2	aerator laminar M16,5x1 (5 l/min)	93118000	0	1
3	special tool	98987000	0	1
4	hollow set screw M4x5	92846000	0	1
5	pull rod	94083000	0	1
6	escutcheon	98930000	0	1
7	O-ring 11x2	98127000	0	1
8	plug	92313000	0	1
9	O-ring 7x1,5	98422000	0	1
10	fixing set (Ø 32)	13961000	0	1
11	lever collar	97548000	0	1
12	connection hose 450 mm M8x0,75 G3/8	97206000	0	1
13	sealing set	95581000	0	1
14	handle	34093000	0	1
15	screw cover	96762000	0	1
16	flange	98863000	0	1
17	escutcheon	95998000	0	1
18	nut	95178000	0	1
19	O-Ring 22x2	98185000	0	1
20	cartridge, assy	97685000	0	1
21	seal	98865000	0	1
22	O-ring 36x2	98156000	0	1
23	O-ring 40x3	92634000	0	1
24	connection hose 450 mm G½ x G3/8	95738000	0	1
25	Hose extension set for 2-Hole Basin Mixer	38960000	0	1
a	pop up waste	94139000	0	1
b	fixation extension 35 mm	13898000	0	1
c	Grease	90920000	0	1