

Water Drop

➔ **FLAMINIA.**

design **LUCA CIMARRA**

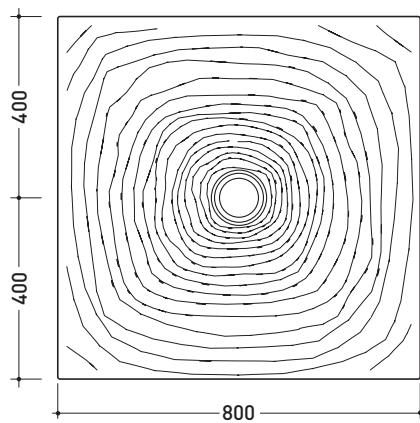
2005

DR80 Water Drop 80

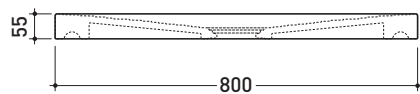
Bench - vanity shower tray 80 cm
(ø 90mm drainage system included)

Complements: **BAMB00 composable shower box**
Line taps shower: ONE - NOKE' - SI - FOLD
Line accessories: TWO - HOOP - NOKE' - FOLD

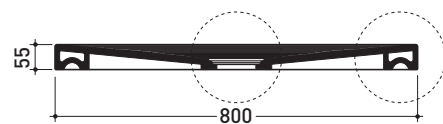
Package dim. **80,5 x 55 x 83 cm** | Weight **33 kg** | Pz. Pallet n° **10**



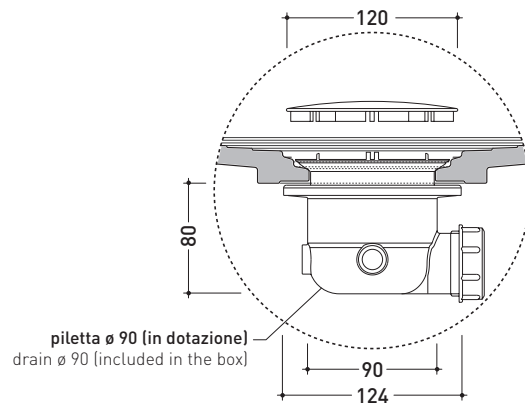
vista zenitale / zenital view



vista frontale / frontal view

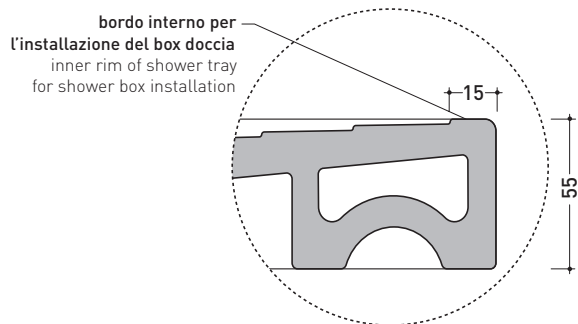


sezione longitudinale / section



Piletta sifonata / Drainage
Portata / Flow rate: 0,52 l/sec (EN 274 >0,4 l/sec)

dettaglio piletta / drain detail



dettaglio del bordo / shower tray rim detail

size in mm

may 2015

CERAMIC: glossy finish



matt finish



COLORS IN ELIMINATION

Water Drop

➔ **FLAMINIA.**

design **LUCA CIMARRA**

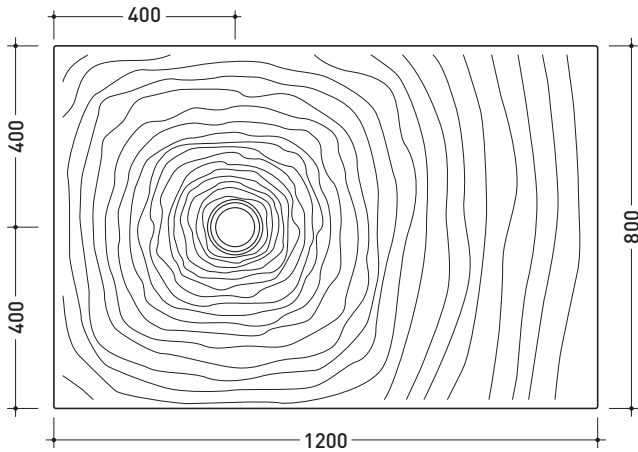
2005

DR120 Water Drop 120

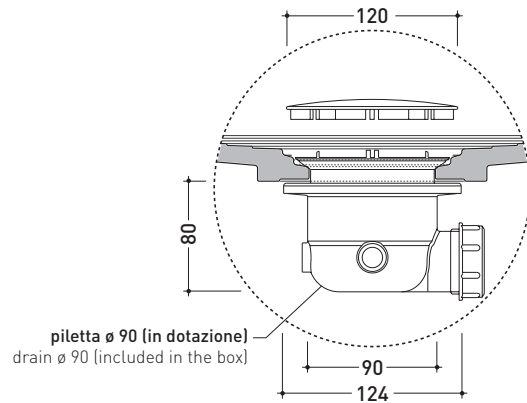
Bench - vanity shower tray 120 cm
(ø 90mm drainage system included)

Complements: **BAMB00 composable shower box**
Line taps shower: ONE - NOKE' - SI - FOLD
Line accessories: TWO - HOOP - NOKE' - FOLD

Package dim. **120,5 x 55 x 83 cm** | Weight **50 kg** | Pz. Pallet n° **10**

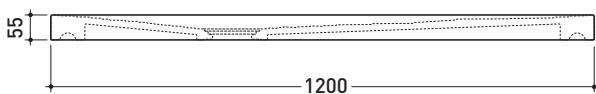


vista zenitale / zenital view

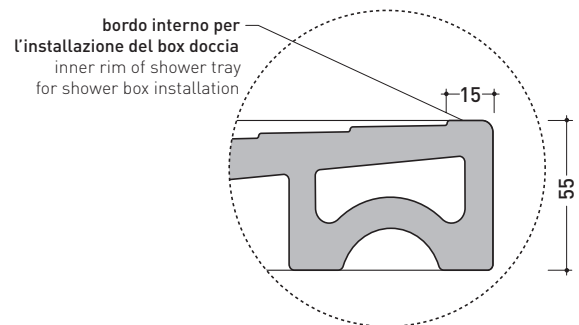


Piletta sifonata / Drainage
Portata / Flow rate: 0,52 l/sec (EN 274 >0,4 l/sec)

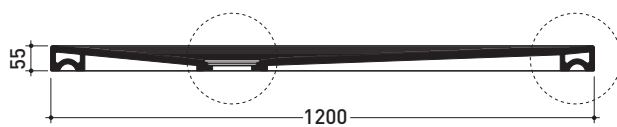
dettaglio piletta / drain detail



vista frontale / frontal view



dettaglio del bordo / shower tray rim detail



sezione longitudinale / section

size in mm

may 2015

CERAMIC: glossy finish



matt finish



COLORS IN ELIMINATION